

VODXS™ TAPS

Description

Motion controlled bathroom tap with built in 7" video communication display.

Video Display

450x800 for ad content, 30x800 for scrolling marquee/ticker.
LCD encased with heat-tempered glass protective cover – meets ANSI Z97.1 break pattern spec.

Flow Rate

Continuous rate flow is 1.08 gpm. Control Solenoid Box can be set at 2, 6 and 10 second intervals. Aerator is changeable.

Electrical Specifications

6 watts per VODXS™ tap (display and solenoid control box) powered with nominal 24V DC power via a CAT6 from the MVP (Multiple Video Player).

Video Player Connection

VODXS™ Taps connect to MVP player via attached CAT6 cable using LVDS video spec, player must be within 5 meters of tap(s). LVDS repeaters available to extend distance in 8 meter increments.

Operation

VODXS™ operates like traditional sensor taps -- the user's hands enter the beam's effective range, the beam is reflected back into the sensor receiver and activates the solenoid valve allowing water to flow from the tap. Water will flow until the hands are removed or until the tap reaches its automatic time out limit setting. MVP connects to cloud-based content management server over Internet – 3G cellular, hard-wire or Wifi.

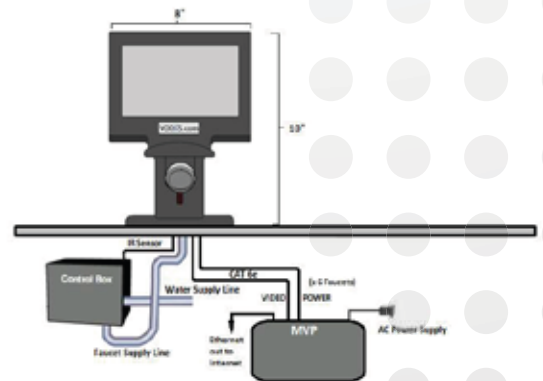
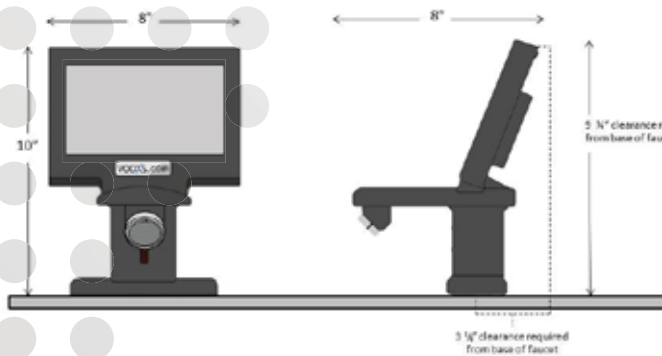
Water Supply

18 inch stainless steel braided supply hose with ½" female pipe thread. Control box with two ½" male pipe thread connectors.



Tap Specifications

- *Mount Type: single hole application*
- *Mount Width: Total width is 8"*
- *Mount Length: Escutcheon plate is 5.75"*
- *Overall Height/Width/Length of Tap: 10"x8"x8"*
- *Mount Adapter: Escutcheon plate is provided with each tap*
- *Weight: Total unit weight with water control box is 9lbs*
- *Material of Construction: Housing is Aluminum, water way is made from Delrin®*
- *Tap Finish Availability: Chrome*
- *Spout Length: 5"*
- *Sensor Range: 8" adjustable*
- *Water Connection: 1/2"*
- *Standard aerator: 1.08 gpm*
- *Warranty: 5 years*



Unit 1A Wavertree Boulevard South, Wavertree Technology Park, Liverpool, L7 9PF

0151 345 6776 • info@midasystems.com

MVP – Multiple Video Player

Description

Video player that provides delivery of video ad content, power and logging of encounter data for up to six (6) VODXS™ Taps.

Processor & Memory

800 MHz ARM 9 CPU 256 MB RAM 4 GByte SD card

Ports

6 LVDS video ports (RJ45) 6 power ports 24VDC (RJ45) 1 USB Host port 1 10/100 Ethernet port 1 power input 24VDC (screw terminals).

Electrical Specifications

Delivers 6 watts per VODXS™ taps connection -nominal 24V DC power via a CAT6

Power Requirements

3 watts plus 6 watts per connected VODXS™ tap. Optional cellular modem requires additional 2 watts

VODXS™ Connection

MVP connects to VODXS™ taps via attached CAT6 cable using LVDS video spec, player must be within 5 meters of tap(s). LVDS repeaters available to extend distance in 8 meter increments.

Operation

MVP connects to all VODXS™ taps locally and to our cloud-based content management server over Internet – 3G cellular, hard-wire or Wifi. The content server pushes updates to the MVP and pulls logged engagement data for reporting. 'Engagements' are triggered by the activation of the water control solenoid when an ad is playing providing tangible metrics to advertisers on ad views beyond traditional impression models.



Digital "Place-based" advertising platform.

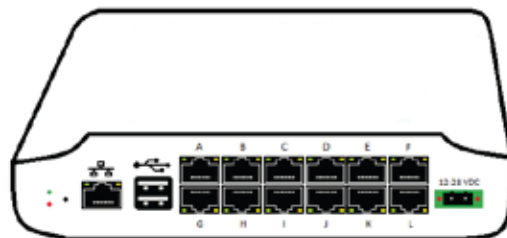
Static, animated or video content with scrolling marquee/ticker.

Audience is engaged and focused-high recall of messaging.

Encounters are logged providing tangible impression data for marketing program results.

Ability to highly define target audiences by gender and location.

Combine with consumer response technologies (e.g. text response, vouchers).



Unit 1A Wavertree Boulevard South, Wavertree Technology Park, Liverpool, L7 9PF

0151 345 6776 • info@midasystems.com